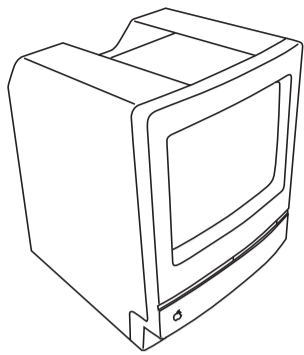


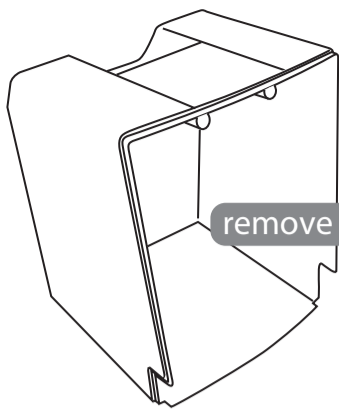
# How to make "Macintosh iPad Stand"

iPad のスタンドを自作してみる

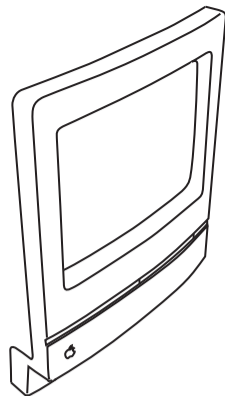


Macintosh Classic

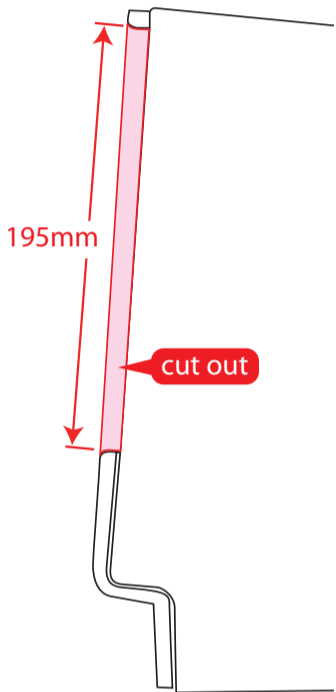
open your Mac



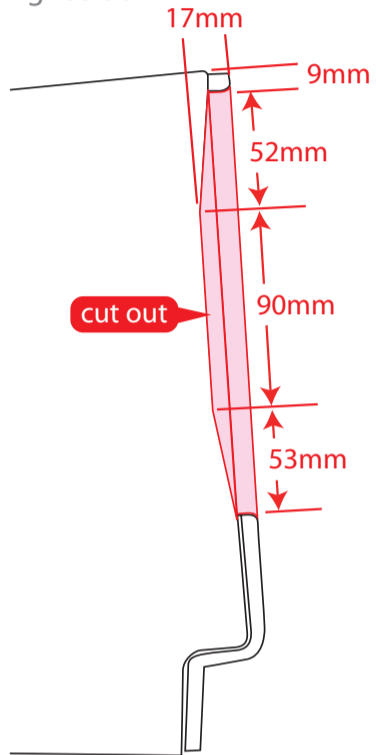
remove the inside elements



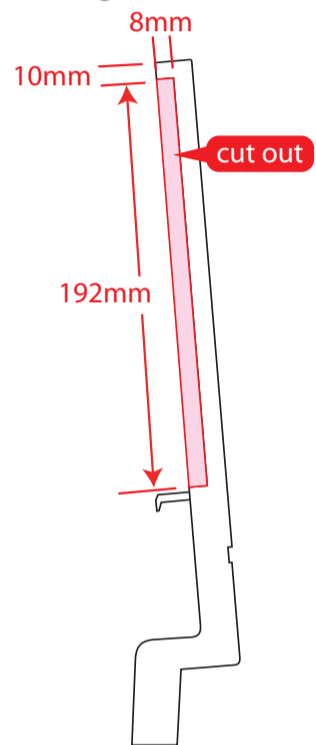
left side view



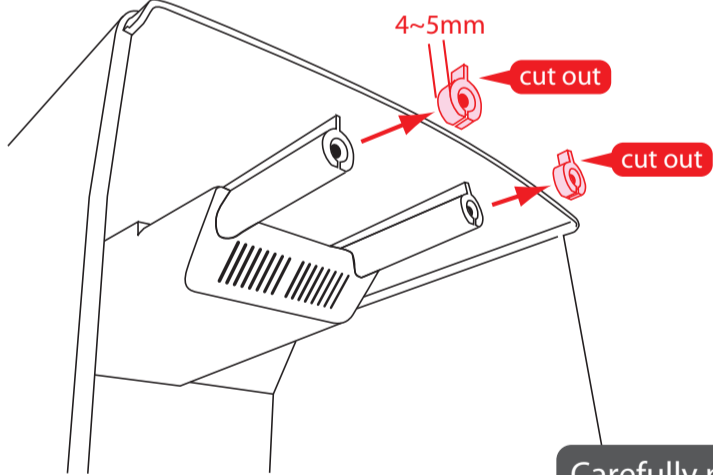
right side view



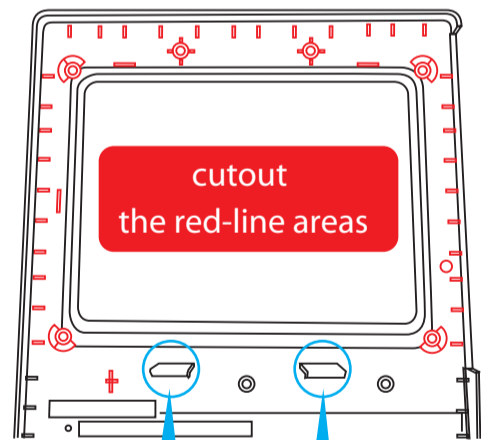
right side view



top of the inner



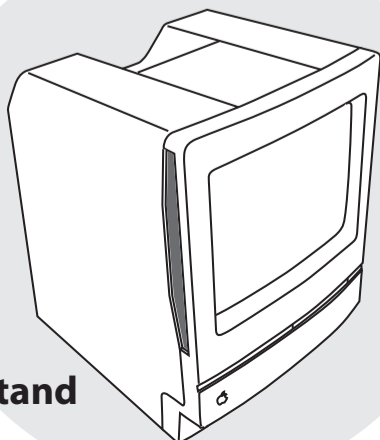
inner surface of the front cover



Carefully polished with sandpaper the cut surface

Important! these parts don't remove

Finish!



Macintosh iPad Stand

home button?  
hmm.....

site hirac  
<http://hirac.info/site/>